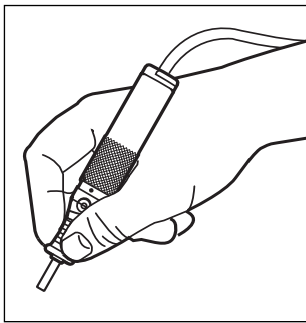


Instructions for Operating GRS Hammer Handpiece #004-611 and #004-612

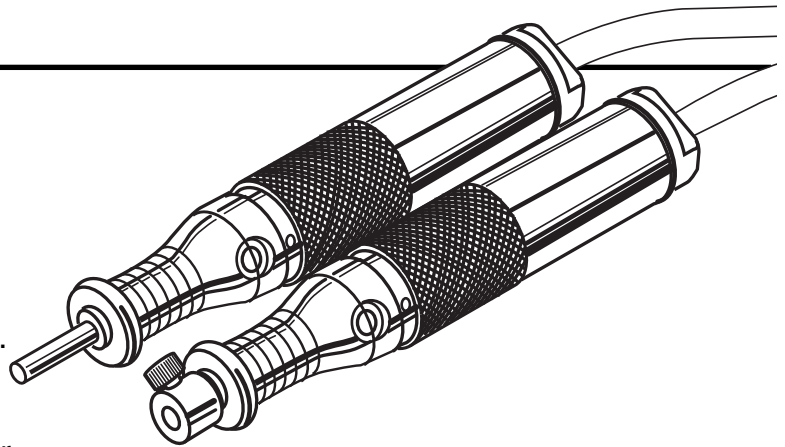
This hammer handpiece works very much like other GRS impact handpieces. There are a few differences that the operator should be familiar with.

1. The hammer can be used on any Gravermeister much like the other handpieces. The strokes per minute adjustment is mostly determined by the preferences of the user. Unlike many Gravermeister handpieces, the air tubing is connected within the handpiece with a special barb fitting. Should the tubing need replacing, it will be necessary to unscrew the back end of the hammer and push the tube with barb through toward the inside. Remove the barb from the old hose and reinstall in the new hose.

2. The hammer is usually held like a pencil. The user should **press the hammer tip down firmly on the work BEFORE using the foot control** to start hammering. Do **NOT**



operate the hammer by holding the tip slightly above the work as with many flexible shaft hammers. Do **NOT** allow the hammer tip to “bounce” against the work. When properly held down, the user will feel very little vibration because the hammering is transmitted to the work, not the user’s hand. If you don’t press down firmly, the hammer may vibrate excessively and could be harder to control.



3. The #004-611 Hammer Handpiece has a threaded chuck that accepts screw-in hammer tips. The tip that comes with this handpiece is made of steel which can be ground to the desired shape. Since these tips are interchangeable with other hammer tips (example: Badeco tips from Switzerland), the user has several styles from which to choose. To remove and install this screw-in tip, put a small rod through the side hole and screw the tip in or out.

4. The #004-612 Hammer handpiece has a round hole and a side set screw to hold many different tools. You can use beading tools, small punches, even some gravers. This handpiece comes with several small hardened steel points which should be ground to the desired shape.



900 Overlander Road
Emporia, KS 66801

Toll Free: 800-835-3519
Phone: 620-343-1084
Fax: 620-343-9640
e-mail: GRS@GrsTools.com