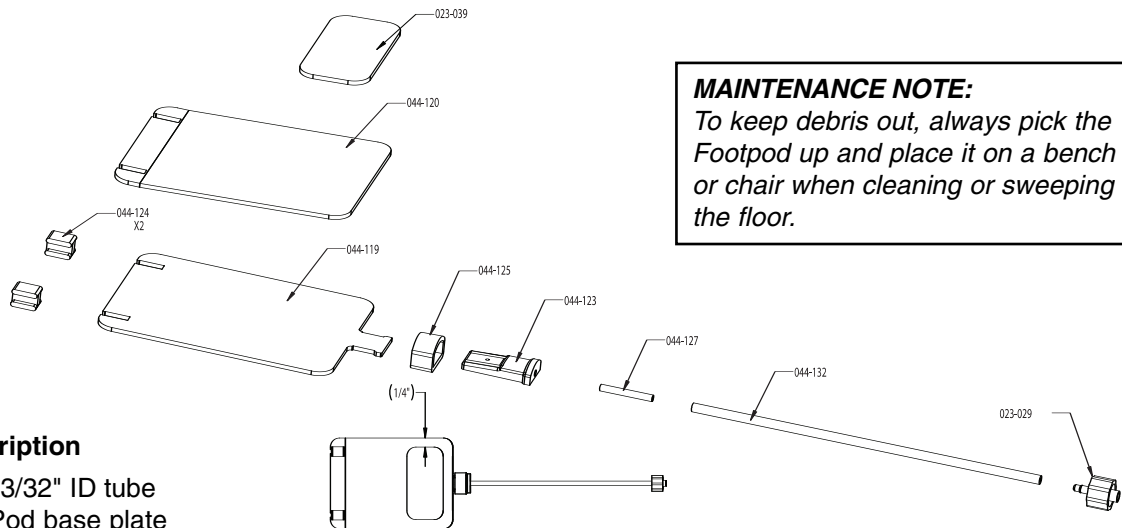


GRS Airtact FootPod Touch Element PARTS LIST

PART #004-956



MAINTENANCE NOTE:

To keep debris out, always pick the Footpod up and place it on a bench or chair when cleaning or sweeping the floor.

Part No. Description

023-029	Male 3/32" ID tube
044-119	FootPod base plate
044-120	FootPod top plate
044-123	FootPod air cavity
044-124	Plate retainer
044-125	Retaining band
044-127	Hose connection 0.094" x 0.063" x 0.750"
044-132	FootPod control hose, 3/32" ID x 72" long
023-039	1" x 2" x 1/16" neoprene pad

GLENDO CORPORATION

900 Overlander Road
P.O. Box 1153
Emporia, KS 66801 USA
800-835-3519 • 620-343-1084
fax 620-343-9640
glendo@glendo.com
www.grstools.com

LIT-301