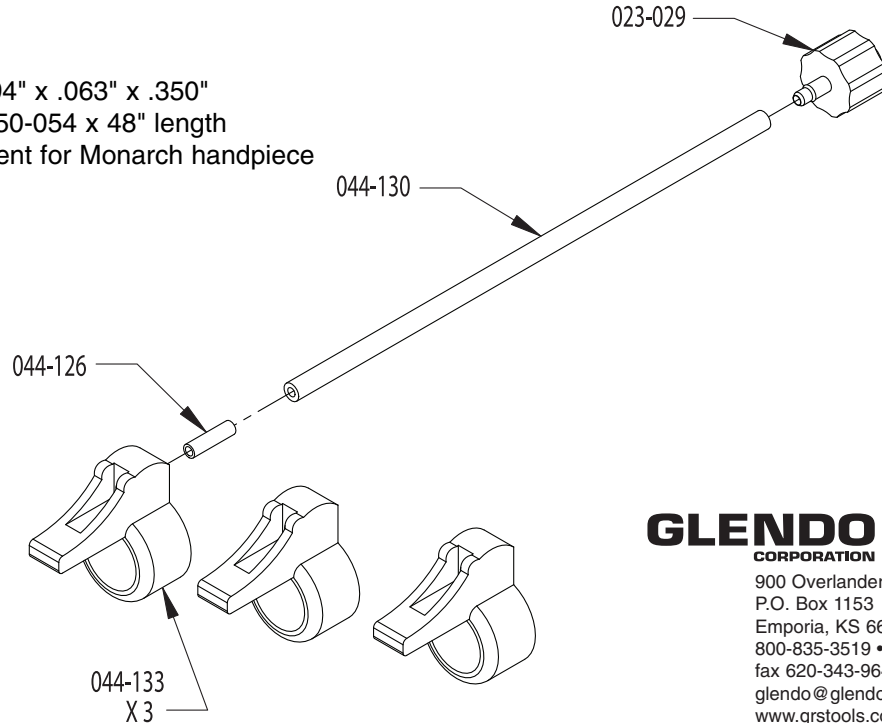




Airtact Thumb/Finger Touch Element PARTS LIST

for Monarch Handpiece • PART #004-954

Part No.	Description
023-029	Male 3/32" ID tube
044-126	Hose connection .094" x .063" x .350"
044-130	Airtact control line 050-054 x 48" length
044-133	Thumb control element for Monarch handpiece



GLENDO CORPORATION

900 Overlander Road
P.O. Box 1153
Emporia, KS 66801 USA
800-835-3519 • 620-343-1084
fax 620-343-9640
glendo@glendo.com
www.grstools.com

LIT-300

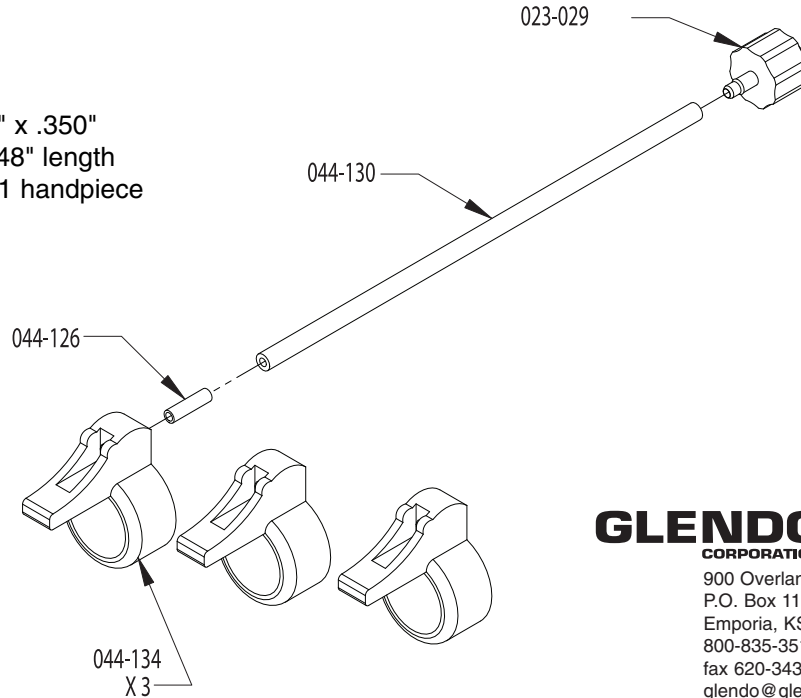


Airtact Thumb / Finger Touch Element PARTS LIST

for 901 Handpiece • PART #004-955

Part No. Description

- 023-029 Male 3/32" ID tube
- 044-126 Hose connection .094" x .063" x .350"
- 044-130 Airtact control line 050-054 x 48" length
- 044-134 Thumb control element for 901 handpiece



GLENDO CORPORATION

900 Overlander Road
P.O. Box 1153
Emporia, KS 66801 USA
800-835-3519 • 620-343-1084
fax 620-343-9640
glendo@glendo.com
www.grstools.com

LIT-300