

Burnish Tool #022-346

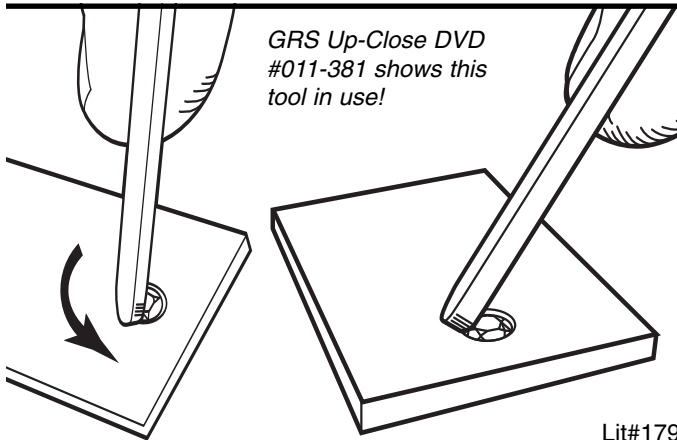
INSTRUCTIONS

This tool is used for burnish, rub-over or “Gypsy” stone setting. The illustrations below show the proper direction and angle to use this tool. Insert tool in a traditional handle OR make it easy and use the power handpiece of a GraverMach, GraverMaxSC, GraverMeister or System 3.

NOTE: The brighter the burnisher’s tip is polished the smoother and brighter the burnished area will be.



www.grstools.com • 800-835-3519



Lit#179