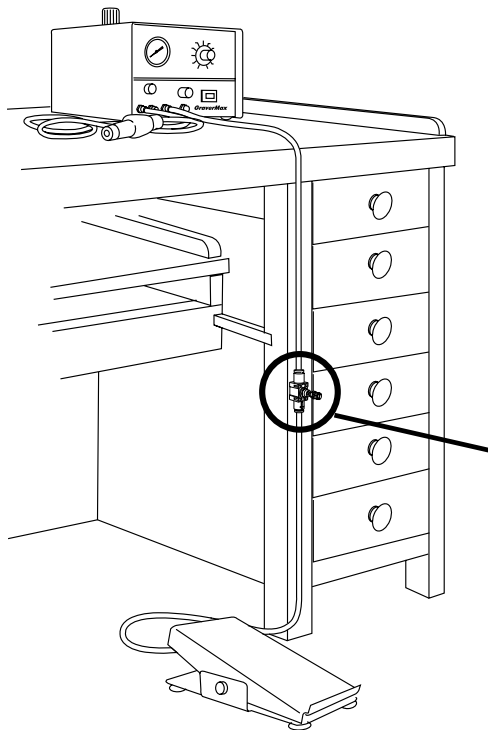


# GRS Adjustable Power Limiter Valve

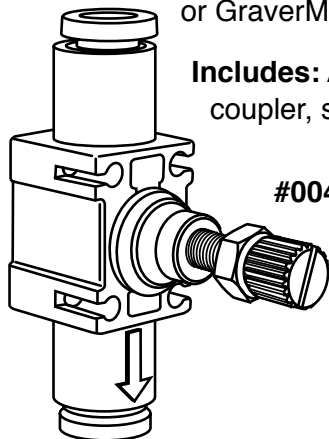
For GraverMax or GraverMate

#004-808



This valve restricts the amount of escaping air, creating a control setting that limits the amount of impacts produced by the handpiece. **It works like a governor.** When depressing the foot control, the action of the handpiece will “max-out” at the desired setting of the Power Limiter Valve. This allows for more control for finer engraving work. The valve is positioned in the air line to the foot control on any GraverMax or GraverMate system.

**Includes:** Adjustable Power Limiter Valve, extra air hose, coupler, screws, and instructions.



#004-808

\$36.80

Order from any  
GRS Dealer.

GRS

900 Overlander Road  
P.O. Box 1153  
Emporia, KS 66801 USA  
800-835-3519 • 620-343-1084  
Fax: 620-343-9640  
grstools@grstools.com  
[www.grstools.com](http://www.grstools.com)