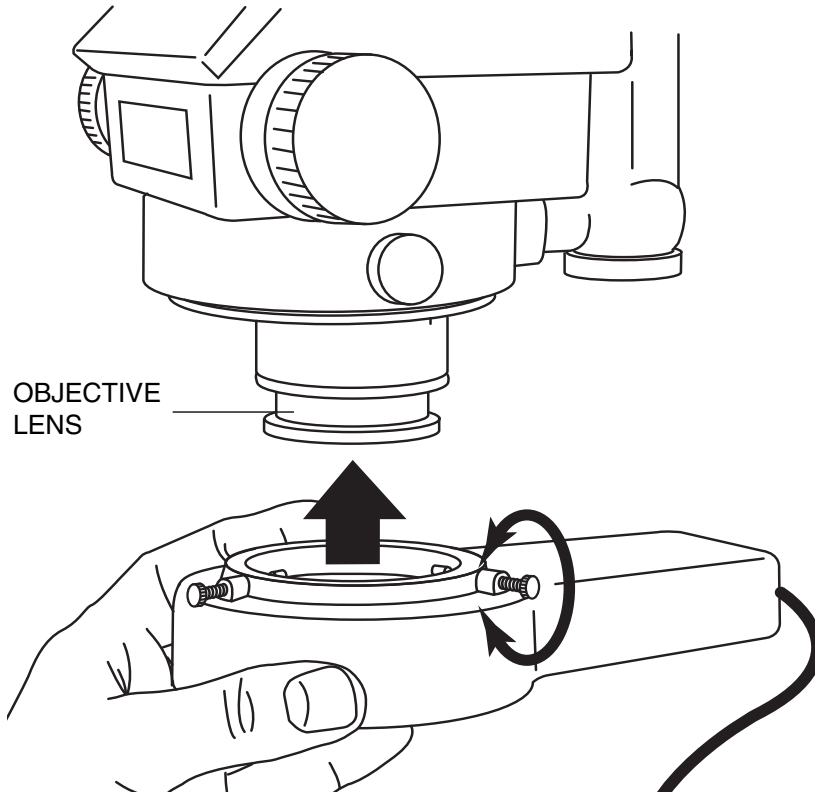


# ATTACHING THE GRS MICROSCOPE RING LIGHT

---



First, turn the three thumb screws out as far as they will go. Position the light over the objective lens (see Illustration at left). Turn the thumb screws in - equally - until the light fixture is held securely. Do not over tighten. Plug the light in, turn it on with switch on the back.



900 Overlander Road  
P.O. Box 1153  
Emporia, KS 66801

1-800-835-3519

Fax: 620-343-9640

Tel: 620-343-1084

e-mail: [GRS@GRStools.com](mailto:GRS@GRStools.com)

LIT #133