

This Compressor Fan should be used to correctly prevent overheating that may affect normal operation.

INSTALLATION

1. Mount the fan on the handle post of your compressor. (Fig. B-2, Fig. C-3).

2. Use the U-bolts to secure the fan to the handle post.

NOTE: The white nylon washers are used as spacers as needed for smaller diameter posts to tighten the fan in place.

3. Plug the cord into an A.C. outlet and test air flow (Fig. B-1).

4. Make sure the air is directed into the compressor head, not away from it.

5. Use the fan during extended periods of compressor use.

- Turn off the fan when compressor is off.

Auxiliary Cooling Fan comes with a 1-Year Limited Warranty.

VERY IMPORTANT: The fan must be positioned so the direction of the air flow is directly into the compressor head (Fig. C-4).

Fig. B • SIDE VIEW

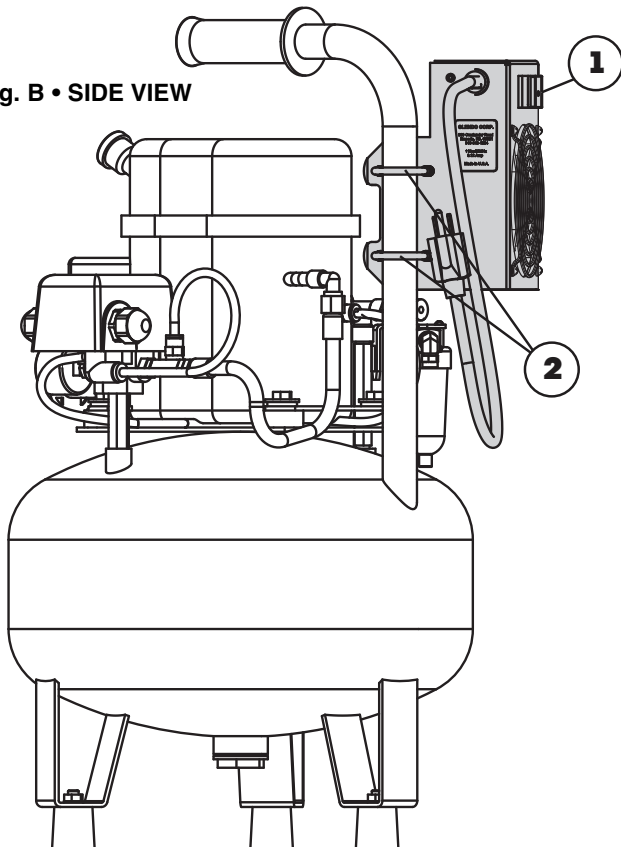


Fig. C • TOP VIEW

