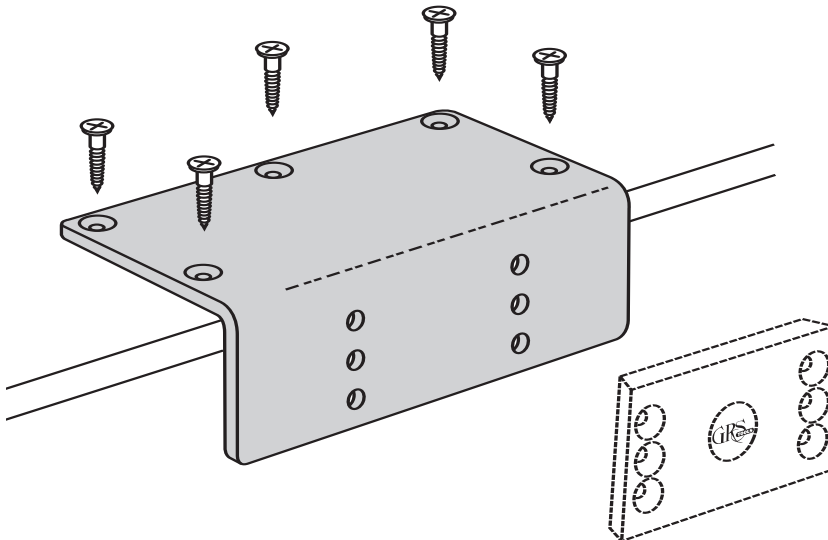




# Optional Mounting Adapter

PART #004-559

This adapter is used to fasten the GRS Fixed Mounting Plate to benches whose top edge is too narrow to allow normal front edge mounting.



**Step 1** Decide placement of the Mounting Adapter on the table top. Attach the Fixed Mounting Plate to the Mounting Adapter using the #10-32 flat head screws and nuts provided. There are six holes in the adapter, it only requires four screws to hold the plate. Select the four holes that position the plate best for your needs. *NOTE: Be sure to mount the Fixed Plate with the beveled edges in the proper orientation.*

**Step 2** Now, attach the Adapter to your bench top, pushing it as far back against the edge as possible. Use the six screws included or other fasteners as you see fit.

## #004-559 PARTS LIST

#004-110	Mounting Bracket
#002-744	Screws
#002-290	10-32 X 3/4" FHMS
#002-204	10-32 UNF Whiz Nut