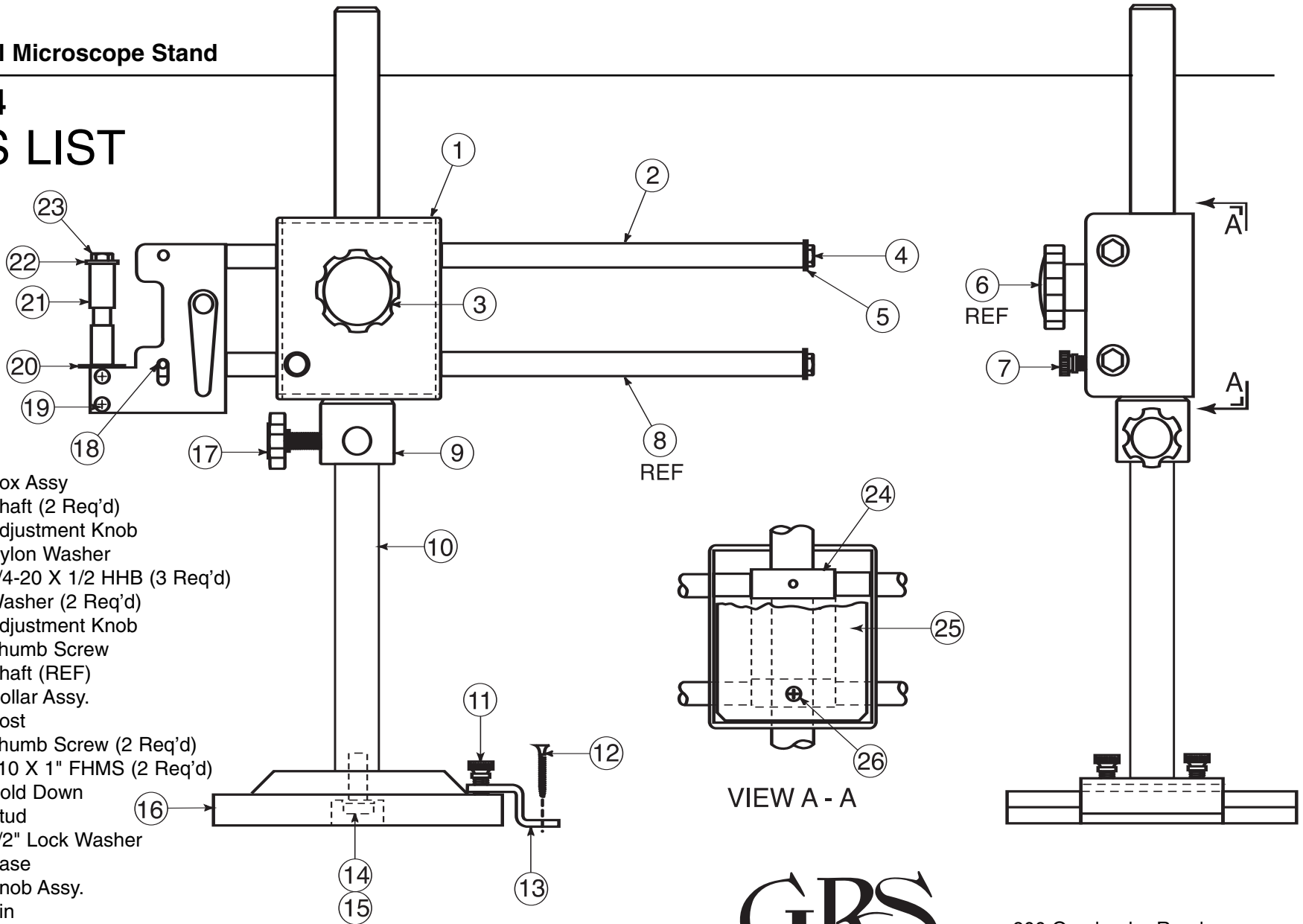


GRS Original Microscope Stand

#003-564

PARTS LIST

- 1 003-555 Box Assy
- 2 003-161 Shaft (2 Req'd)
- 3 002-479 Adjustment Knob
002-414 Nylon Washer
- 4 002-286 1/4-20 X 1/2 HHB (3 Req'd)
- 5 002-307 Washer (2 Req'd)
- 6 003-552 Adjustment Knob
- 7 002-513 Thumb Screw
- 8 003-161 Shaft (REF)
- 9 003-556 Collar Assy.
- 10 003-160 Post
- 11 002-513 Thumb Screw (2 Req'd)
- 12 002-744 #10 X 1" FHMS (2 Req'd)
- 13 003-159 Hold Down
- 14 022-164 Stud
- 15 022-165 1/2" Lock Washer
- 16 003-209 Base
- 17 004-544 Knob Assy.
- 18 002-733 Pin
- 19 002-065 #10-32 X 3/8" RHMS (4 Req'd)
- 20 002-945 Washer
- 21 003-169 Mount Post
- 22 001-425 Washer .312 X .875 X .145
- 23 002-286 1/4-20 X 1/2" HHB
- 24 003-155 Clamp
- 25 003-156 Cover
- 26 002-065 #10-32 X 3/8" RHMS



900 Overlander Road
Emporia, KS 66801 USA

Tel: 620-343-1084
Fax: 620-343-9640
e-mail: GRS@GrsTools.com

www.grstools.com