

# GRS Standard Block Ball Vice

For Engraving and Jewelry Making

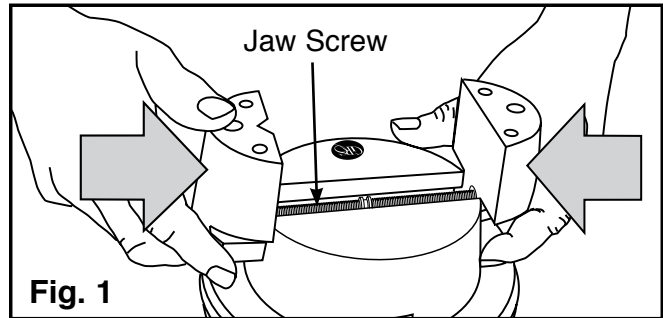
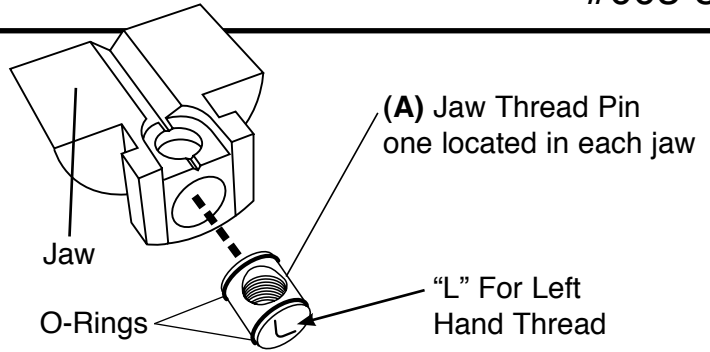
#003-530

Your GRS Standard Block will give you many years of trouble-free service. It is extremely rugged in construction, yet is relatively simple and easy to maintain. Lubrication required is minimal.

The jaw adapter plates are drilled to accept engraving block attachments. GRS offers a 30-piece attachment set (#003-520) that includes storage for the adaptor plates and pins that come with the block.

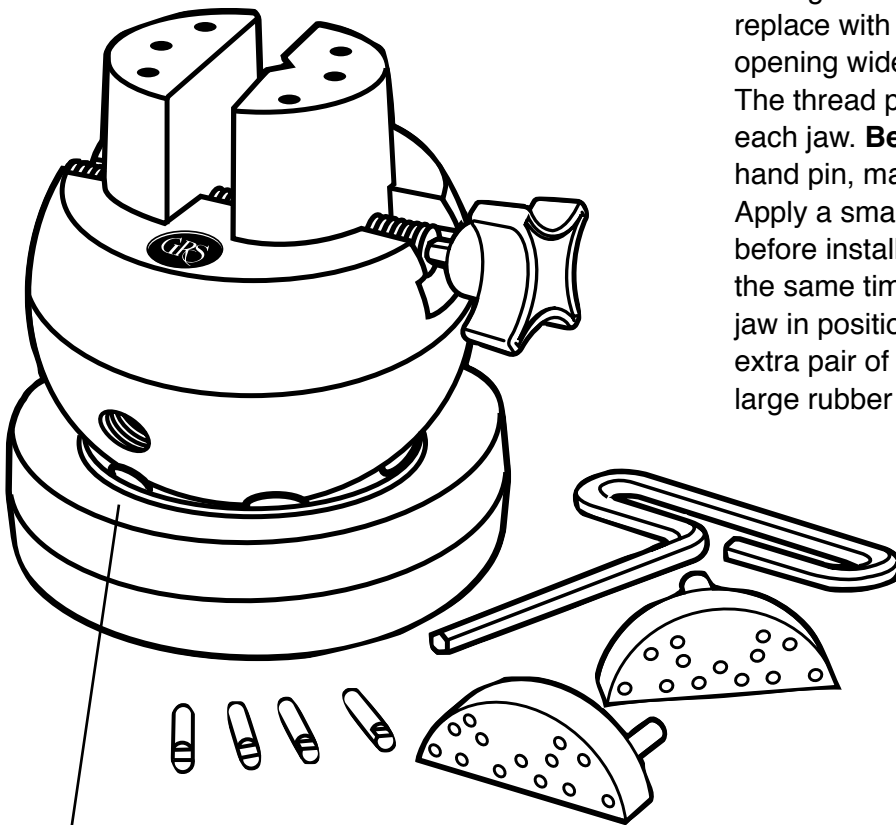
## Maintenance

Based on usage, open jaws fully and clean any dirt and metal pieces from the threads. After cleaning, apply a small amount of light oil to the threads.

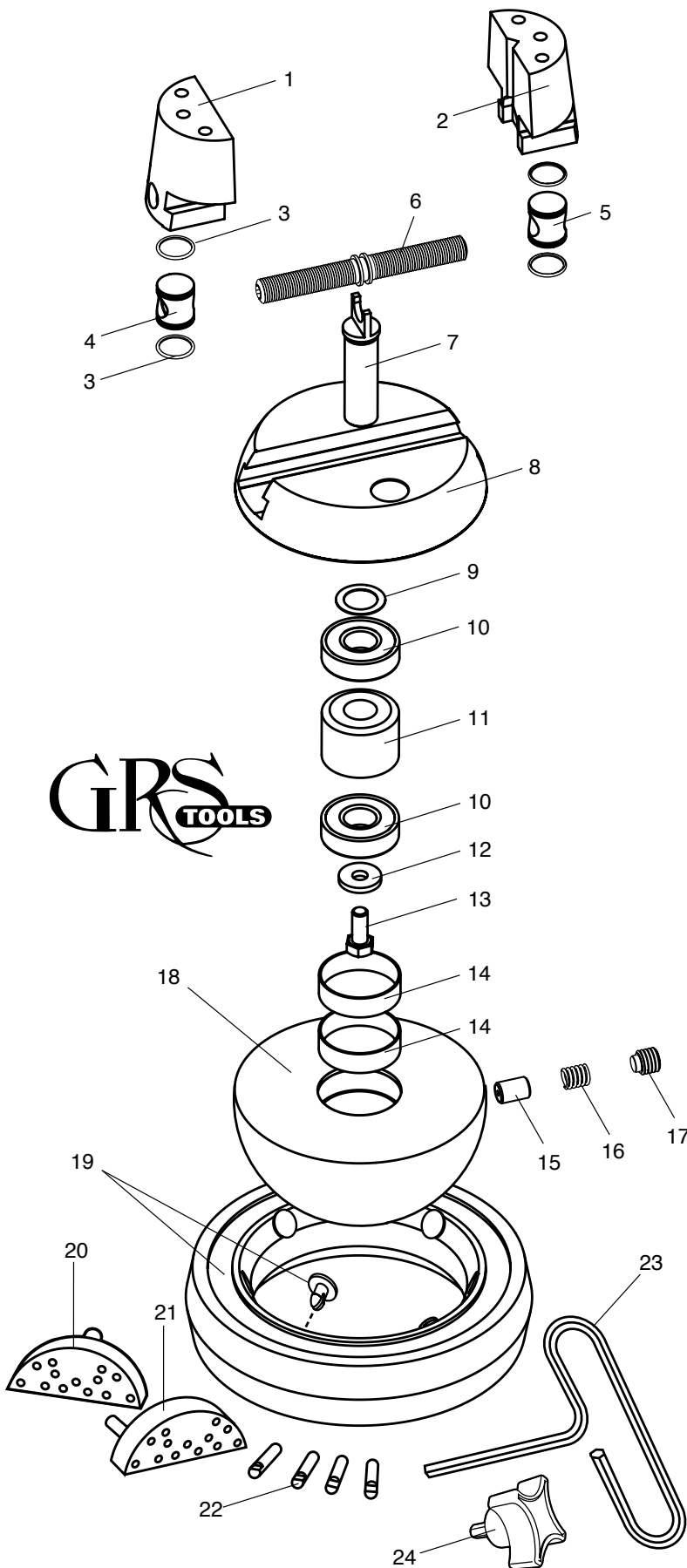


## Jaw Thread Replacement

Over tightening the jaws will cause wear and damage to the threads. If jaws become loose, replace with kit #003-627. Remove jaws by opening wide until they come off the jaw screw. The thread pin (A) is located on the under side of each jaw. **Before removing pins** locate the left hand pin, marked “L”. Replace it with the same. Apply a small amount of grease to the O-rings before installing them. Start the jaws threads at the same time when replacing them. Hold each jaw in position (Fig. 1) and turn the jaw screw. An extra pair of hands makes this easier, or place a large rubber band over the jaws.

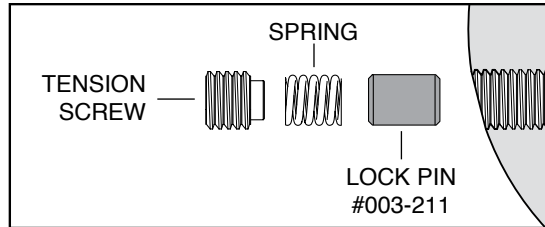


900 Overlander Road  
P.O. Box 1153  
Emporia, KS 66801 USA  
Toll-Free: 1-800-835-3519  
Phone: 620-343-1084  
Fax: 620-343-9640  
E-mail: [grs@grstools.com](mailto:grs@grstools.com)  
[www.grstools.com](http://www.grstools.com)



### Lock or Drag Pin Replacement

The LOCK or DRAG PIN is subject to much wear and may need to be replaced after extended use. Simply remove the ball swivel tension screw with the hex wrench. The spring and Lock Pin should follow, if not, you may need to turn the ball until they fall out. Replace the Lock Pin (#003-211), Spring and Tension Screw.



### GRS Standard Block Ball Vise Complete Assembly #003-530

PART #	DESCRIPTION
1	003-073 Jaw - Right Hand
2	003-074 Jaw - Left Hand
3	002-127 O-Ring - 0.625" x 0.75" x 0.062"
4	003-065 Pin - Right Hand
5	003-064 Pin - Left Hand
6	003-070 Screw Post
7	003-213 Post
8	003-210 Block Crown
9	022-180 Washer
10	022-181 Bearing 6203ZZ
11	003-214 Spacer
12	002-214 Washer - 0.312" x 0.859" x 0.125"
13	003-265 5/16-18 x 3/4" Flange Head
14	022-182 Tolerance Ring
15	003-211 Lock Pin
16	003-212 Spring
17	003-067 1/2 - 13 x 1/2 SSS Flt Pt HF Dog
18	003-215 Block Base
19	003-529 Tire Assembly
20	003-526 Pin Plate - 1 pin
21	003-527 Pin Plate - 2 pin
22	003-015 Jaw Pin - 1/4"
23	002-091 Wrench - 1/4" T-Handle Hex
24	003-661 1/4" Hex Drive Knob

### Replacement Thread Pin Kit

#003-628 (Not Shown). Includes Jaw Screw, Left and Right Thread Pins, O-Rings, and Tube of Grease.