

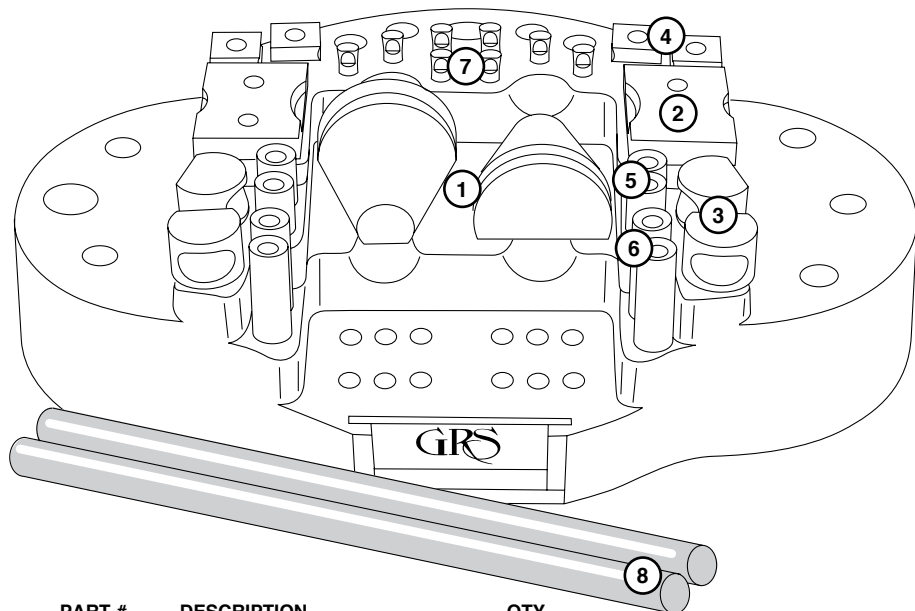


# Attachment Set

for GRS Ball Vises • #003-520

This set helps you instantly solve the problems of holding, so you can start working. Includes: leather-faced ring clamps, variety of pins, Thermo-Loc™ Sample Kit, and other clamps that fit the upper jaw plate of every GRS vise.

For more information and instructions on Thermo-Loc's use, please visit: [www.thermo-loc.com](http://www.thermo-loc.com).



PART #	DESCRIPTION	QTY.
1	003-513 Ring clamp assembly	2
2	003-514 Attachment plate #3 assembly	2
3	003-515 Attachment plate #2 assembly	4
4	003-516 Attachment plate #1 assembly	4
5	003-517 Attachment pin #3 assembly (short)	4
6	003-518 Attachment pin #2 assembly (long)	4
7	003-050 Formed complete attachment pin #1	8
8	003-679 Thermo-Loc sample kit	1

## GLENDO CORPORATION

900 Overlander Road  
P.O. Box 1153  
Emporia, KS 66801 USA  
800-835-3519 • 620-343-1084  
Fax: 620-343-9640  
E-mail: [glendo@glendo.com](mailto:glendo@glendo.com)  
[www.grstools.com](http://www.grstools.com) #003-062