



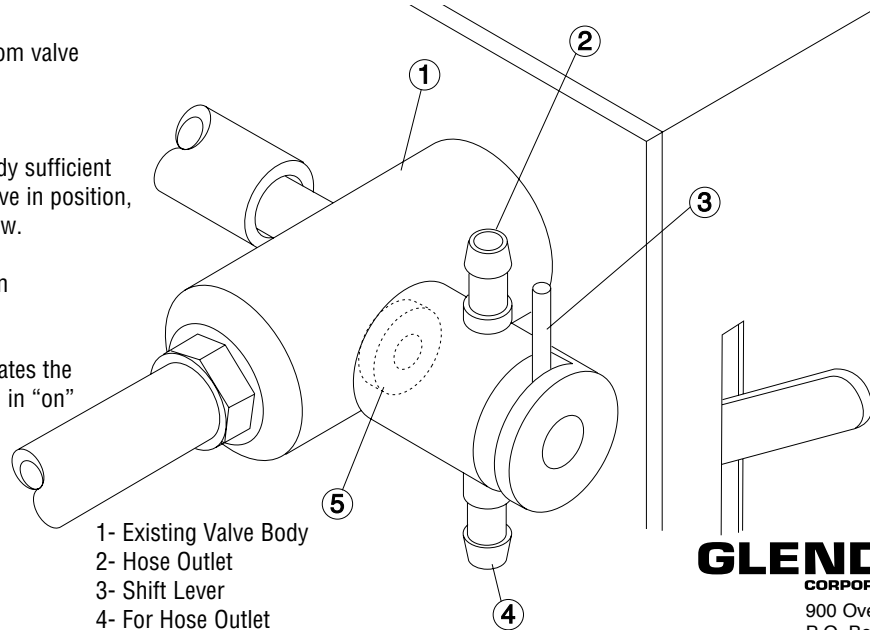
2-Way Gravermeister HP Valve

PART #001-507

INSTRUCTIONS

Installation

1. Remove handpiece hose and outlet from valve body.
(Item 8, page 14 of manual)
2. Install valve, screwing it into valve body sufficient to compress rubber seal, hold the valve in position, and orient it as shown on sketch below.
3. Connect handpiece hoses to outlets on top and bottom.
4. Shift lever is located such that it indicates the operating outlet. (Top outlet is shown in "on" position in sketch).



- 1- Existing Valve Body
- 2- Hose Outlet
- 3- Shift Lever
- 4- For Hose Outlet
- 5- Rubber Seal

GLENDO
CORPORATION

900 Overlander Road
P.O. Box 1153
Emporia, KS 66801 USA
800-835-3519 • 620-343-1084
fax 620-343-9640
glendo@glendo.com
www.grstools.com

001-208